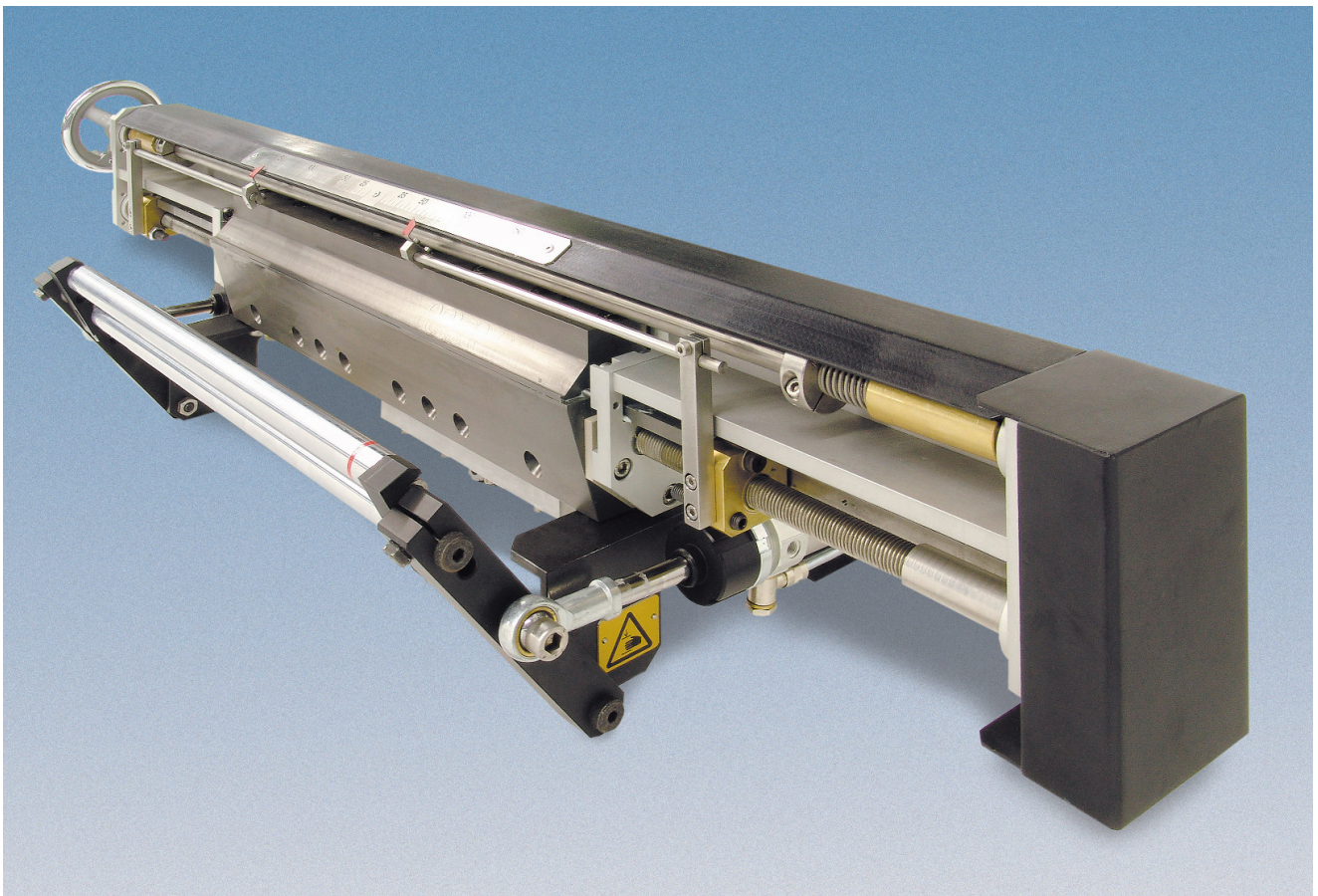


DPW Series Profile Wrapping Application Head



Hot melt application head delivers high-quality, cost-efficient coating of vinyl, foils, veneer and paper.



The DPW series application heads are designed to apply adhesive to vinyl, veneers, paper or other materials that are then immediately adhered to profiles or plates of varying shapes and materials. The application width can be adjusted separately from the right or left side, beginning at the center of the application head.

DPW technology offers significant advantages over the traditional method of roll application. The closed coating system – consisting of the DPW application head, tank or bulk melter, and heated hoses

– is particularly well suited for complex processing of reactive polyurethane adhesives (PUR) as well as other hot melt adhesives. The closed system helps provide high quality adhesion and substantially reduces cleaning.

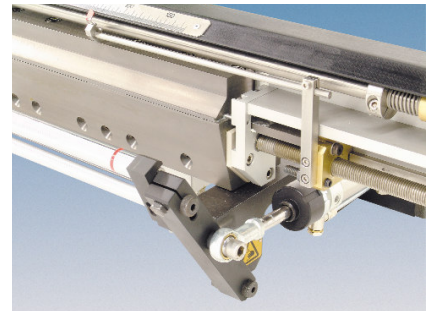
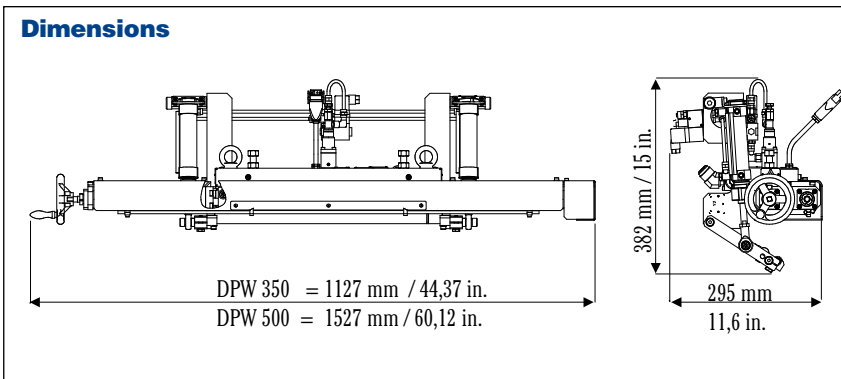
Precise metering with gear pumps and exact adhesive temperature control help reduce adhesive consumption and improve product quality.

DPW Series Profile Wrapping Application Head

Features and Benefits

- Substantial adhesive savings due to precise, microprocessor-controlled temperature control and exact metering by gear pumps.
- Consistently high product quality resulting from uniform coating and comprehensive process control.
- Even adhesive application without build-up along the edges of the application surface.
- Closed application system protects adhesive from contamination and moisture.
- Pneumatic web guide provides optimum pressure of foil against adhesive nozzle.
- Simple coating width adjustment from either side from 50 mm to the maximum application width: standard widths of 350 mm and 500 mm available.
- Application width can be adjusted even during production.
- Quick maintenance and simple cleaning reduce operating costs.
- Coating thickness can be easily and quickly adjusted with optional Nordson ES 10 coating weight control unit.

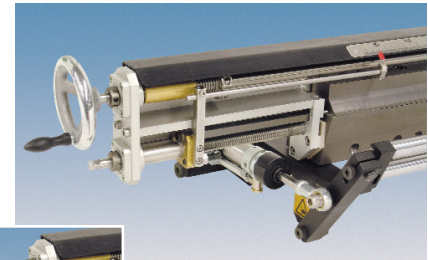
Dimensions



Pneumatic web guide optimally presses plastic foil against nozzle.

Technical Specifications

Operating Temperature	max. 200 °C (392 °F)
Adhesive Pressure	max. 7 Mpa (70 bar / 1016 psi)
Control Air Pressure	0,6 Mpa (6 bar / 87 psi)
Operating Voltage	230 VAC
Control Voltage	24 VDC
Power Consumption	1000 W
Coating Width DPW 350	50 to 350 mm (2 to 13.8 in.)
Coating Width DPW 500	50 to 500 mm (2 to 20 in.)



Handwheel for continuous width adjustment from left or right side.

For more information, talk with your Nordson representative or contact your Nordson regional office.

United States Duluth, Georgia Telephone: (800) 683-2314 Facsimile: (866) 667-3329	Canada Markham, Ontario Telephone: (800) 463-3200 Facsimile: (905) 475-8821	Europe Lüneburg, Germany Telephone: (49) 4131-894-0 Facsimile: (49) 4131-894-149	Japan Tokyo, Japan Telephone: (81) 3-5762-2700 Facsimile: (81) 3-5762-2701	Asia/Australia/ Latin America Amherst, Ohio Tel. (440) 985-4797 Fax (440) 985-1096
---	---	--	--	--

www.nordson.com



© 2005 Nordson Corporation
All Rights Reserved
Nordson reserves the right
to make design changes between printings.

CE
ISO 9001
QUALITY SYSTEMS

PAL-05-1950-01-EN
08/2005
Printed in Lüneburg