

# Atlas™ Manually Operated Filling Systems

sealants - vinyl adhesives - greases - epoxies - nonpourable fluids in cartridges



Atlas filling systems allow easy transfer of nonpourable fluids from cartridges to Optimum® syringes. If your fluid is supplied in 2.5, 6, 12, 20 or 32 oz. cartridges, specify the Atlas syringe filler.

All models come complete with 0-100 psi (0-7.0 bar) regulator and gauge, retainer and cap assembly with toggle switch, fittings, stand, cartridge with plunger and 5cc, 10cc and 30/55cc size syringe barrel fill level plugs.

## Features

- Fast and accurate filling.
- Accommodates 3cc to 55cc syringes.
- Sight slots indicate fluid level in cartridge.
- Indicators show maximum fill.
- Simple setup and cleanup.
- Ideal for short runs.
- Toggle switch for easy operation.

For Nordson EFD sales and service in over 30 countries, contact Nordson EFD or go to [www.nordsonefd.com](http://www.nordsonefd.com)

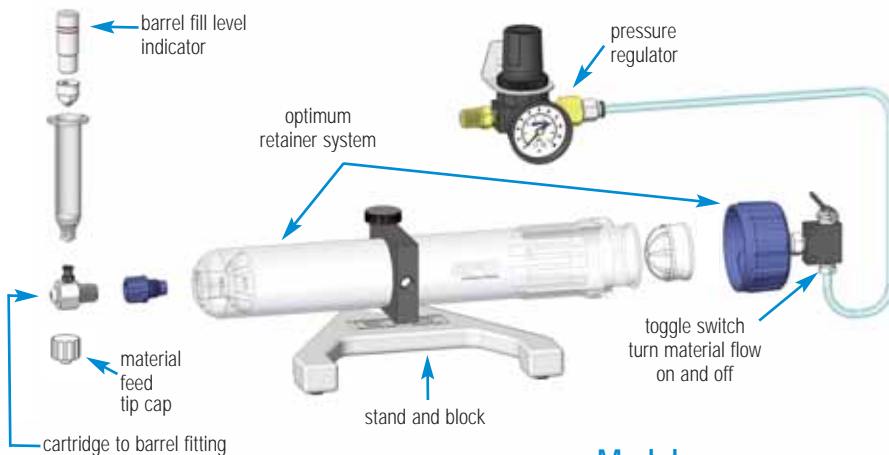
East Providence, RI USA  
USA & Canada: 800.556.3484; +1.401.431.7000  
[info@nordsonefd.com](mailto:info@nordsonefd.com)

Dunstable, Bedfordshire, UK  
0800 585733; +44 (0) 1582 666334  
Ireland 00800 8272 9444  
[europe@nordsonefd.com](mailto:europe@nordsonefd.com)

China: +86 (21) 3866 9006  
[china@nordsonefd.com](mailto:china@nordsonefd.com)

Singapore: +65 6796 9522  
[sin-mal@nordsonefd.com](mailto:sin-mal@nordsonefd.com)

The Wave Design is a trademark of Nordson Corporation.  
©2012 Nordson Corporation v051012



## Models

7022446 (922BL)	2.5 oz.
7022447 (926BL)	6 oz.
7022445 (920BL)	12 oz.
7013568	20 oz.
7013901	32 oz.

**Nordson**  
EFD