

450RC Recirculating Valve



The **450RC** recirculating valve allows continuous flow of material while still being able to control the shut-off at the mixer. Typical applications are for heated materials or materials with fillers that need to be kept in suspension. **Gear pump** applications can also benefit from the recirculating valve because the pumps can be kept running while shut-off occurs at the mixer.

Having recirculation occur at the valve instead of the pumps eliminates pressure buildup in the lines, which could result in off-ratio dispensing. The **450RC** valve also incorporates the **Snuff-Back** feature of the standard 450 valve. When the valve shuts off, the air cylinder pulls back, minimizing or eliminating the risk of material dripping or stringing from the mixer.

Weight:

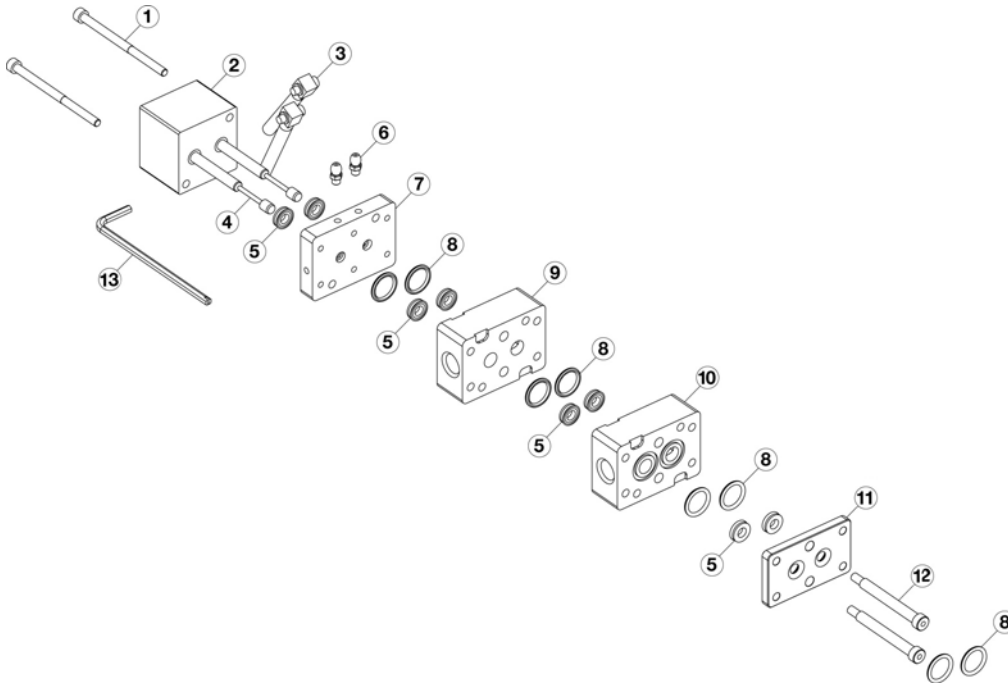
Aluminum Valve and Manifold	2.0 lb (0.9 kg)
Stainless Steel Valve and Manifold	3.4 lb (1.5 kg)

Pressure Rating:

3,500 psi (240 bar)

Electronic pdf files of Nordson EFD manuals are also available at www.nordsonefd.com

450RC Recirculating Valve



Ref.	Part No.	Qty.	Description
1	7702325	2	2K V-Parts 450 SHCS 10-24 X 3"
2	7704283	1	2K V-Parts 450 ASSYSGL RC VALVE
3	7702297	2	2K V-Parts 450 ELBOW 10-32 AIR-T
4	7702406	2	2K V-PARTS RV450 AL AIRCYL PSHAFT
5A	7702266	8	2K V-Parts 450 LIPSEAL F
5B	7702281	8	2K V-Parts 450 LIPSEAL P
5C	7702280	8	2K V-Parts 450 LIPSEAL T
5D	7702277	8	2K V-Parts 450 LIPSEAL UHMPE CUP
5E	7702279	8	2K V-Parts 450 LIPSEAL E
6	7702268	2	2K-V-Parts 450 G-FIT 10-32
7	7702270	1	2K V-Parts 450 AL TIE
8A	7702813	8	ORING 016 VITON
8B	7702810	8	ORING 016 EPDM
8C	7702275	8	2K V-Parts 450 ORING T
9A	7702347	1	2K BODY 400 AL 9/16-18, REAR
9B	7702348	1	2K BODY 400 SS 9/16-18, REAR
10A	7702345	1	2K BODY 400 AL 9/16-18, FRONT
10B	7702346	1	2K BODY 400 SS 9/16-18, FRONT
11	7702288	1	2K SEAT 400 SS
12	7702290	2	2K V-Parts SS SHSS 10-24x1.5
13	7702015	1	2K V-Parts 400/450 SCREW-DR

NOT SHOWN

-	7702364	2K V-PARTS GREASE CART
-	7702373	GREASE GUN/EMPTY

For Nordson EFD LLC sales and service in over 30 countries, contact Nordson EFD or go to www.nordsonefd.com

East Providence, RI USA
USA & Canada: 800.556.3484;
+1.401.431.7000
info@nordsonefd.com

Dunstable, Bedfordshire, UK
0800 585733;
+44 (0) 1582 666334
Ireland 00800 8272 9444
europa@nordsonefd.com

China: +86 (21) 3866 9006
china@nordsonefd.com

Singapore: +65 6796 9522
sin-mal@nordsonefd.com

The Wave Design is a trademark of Nordson Corporation.
©2012 Nordson Corporation v032712
7704036 - MAN-INS-450RC (2K V-PARTS 450 MANUAL INS RC)

