

Series 450 XT Snuff Back Valve

Urethane Dispenser



In response to your needs, Nordson EFD has designed and manufactured an innovative dispense valve specifically for two-component urethanes. Since two-component urethanes are moisture sensitive, any contact with air can cure the material, locking up the dispense valve. This production proven design eliminates exposure of wetted shafts to air.

- Uses same manifold and ergonomic handle as standard Series 450 valve.
- A thicker tie plate increases the distance between the lip seals to be more than the stroke length, resulting in extended seal life and less down time.

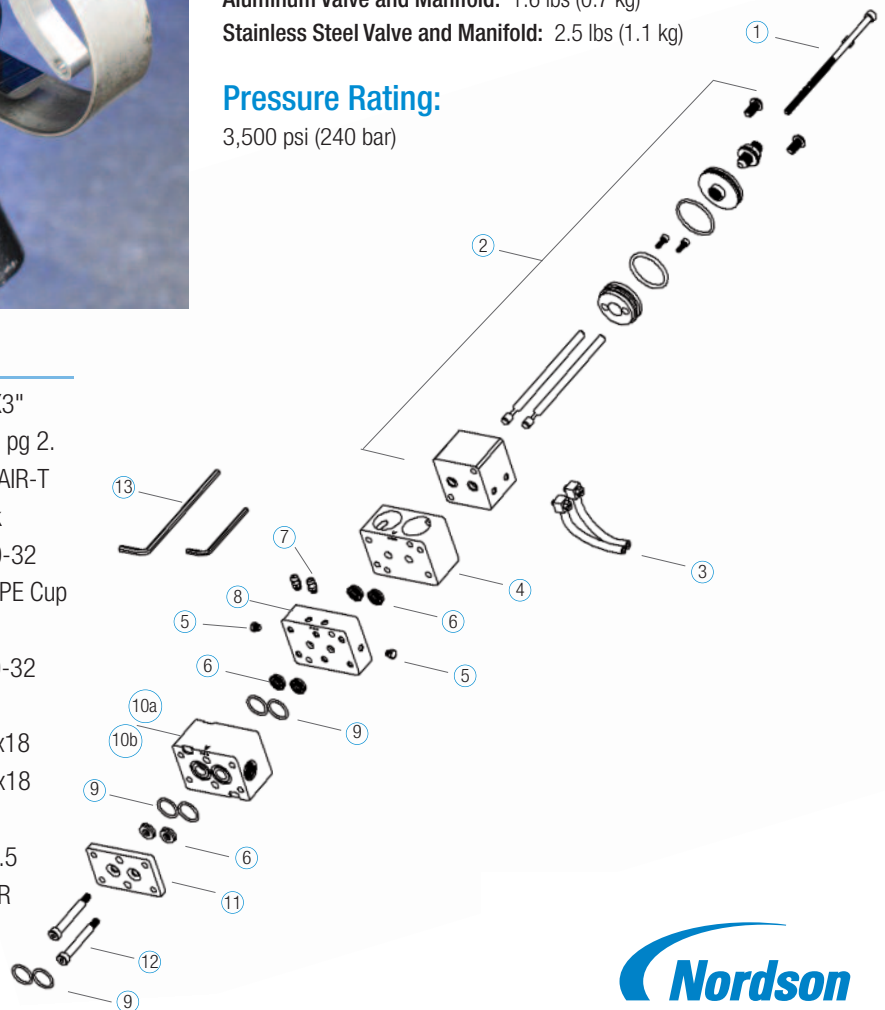
Weight:

Aluminum Valve and Manifold: 1.6 lbs (0.7 kg)

Stainless Steel Valve and Manifold: 2.5 lbs (1.1 kg)

Pressure Rating:

3,500 psi (240 bar)



Ref.	SAP #	Qty.	Description
1	7702320	2	2K V-Parts 450 SHCS 10-24X3"
2	See Exploded view for Air Cylinder part numbers on pg 2.		
3	7702297	2	2K V-Parts 450 Elbow 10-32 AIR-T
4	7702283	1	2K V-Parts 450 Window Block
5	7702342	2	2K V-Parts 450 Brass Plug 10-32
6	7702277	6	2K V-Parts 450 LipsealL UHMPE Cup
7	7702268	2	2K V-Parts 450 G-FIT 10-32
8	7702269	1	2K V-Parts 450 AL TIE EXT 10-32
9	7702275	6	2K V-Parts 450 Oring T
10a	7702284	1	2K V-Parts 450AL Body 9-16x18
10b	7702287	1	2K V-Parts 450SS Body 9-16x18
11	7702288	1	2K SEAT 400 SS
12	7702289	2	2K V-Parts SS SHSS 10-24x1.5
13	7702015	1	2K V-Parts 400/450 Screw-DR

NOT SHOWN

-	7702364	2K V-PARTS GREASE CART
-	7702373	GREASE GUN/EMPTY



Series 450 XT Snuff Back Valve

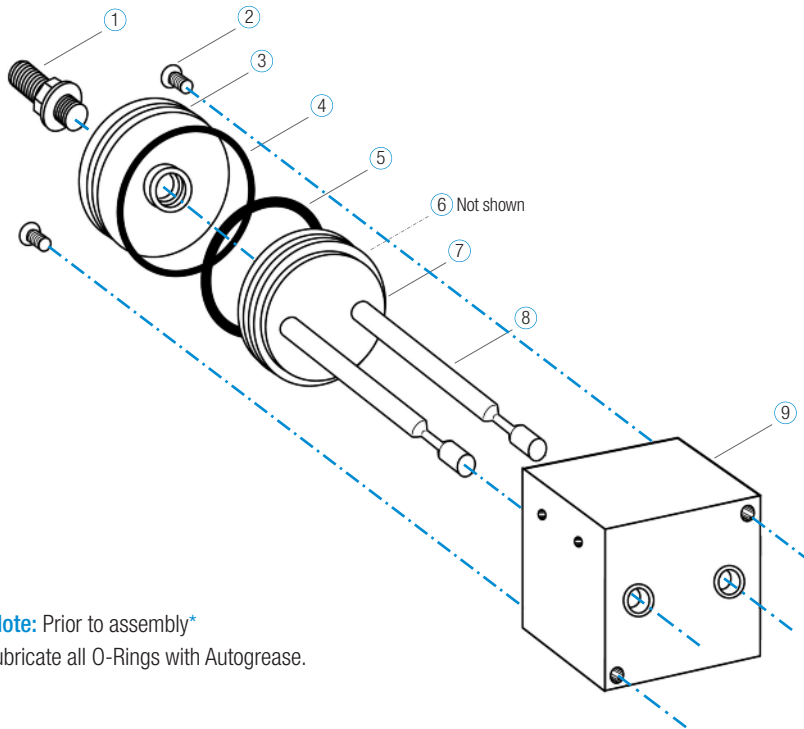
Urethane Dispenser

AIR CYLINDER

For 7702216 450XT Aluminum

And 7702447 450XT Stainless Steel Valves

Hardened SS Shafts



Note: Prior to assembly*
lubricate all O-Rings with Autogrease.

Ref.	SAP #	(AKA)	Qty.	Description
1	7702403	(451-410-A-75)	1	Snuff Back Adjustment Screw
2	7702079	(401-409-A-75)	2	BHCS 1/4 - 20x1/2" long
3	7702402	(451-408-A-97)	1	Aluminum Back Plate
4	7702077	(401-407-A-00)	1	Brown Viton® O-Ring (Back Plate)
5	7702076	(401-406-A-00)	1	Brown Viton® O-Ring (Piston)
6	7702399	(451-340-A-75)	2	2K V-Parts 450 SHCS 6-32x3/8
7	7702085	(401-415-A-97)	1	2K V-Parts 400 AIRCYL Piston
8	7702405	(451-416-A-98 HEXT)	2	2K V-Parts 450 AIRCYL P-Shaft EX
9	7702074	(401-404-A-97)	1	Replacement Body with Front Seals

*Viton® is a registered trademark of DuPont Dow Elastomers

For Nordson EFD LLC sales and service in over 30 countries, contact Nordson EFD or go to www.nordsonefd.com

East Providence, RI USA
USA & Canada: 800.556.3484;
+1.401.431.7000
info@nordsonefd.com

Dunstable, Bedfordshire, UK
0800 585733;
+44 (0) 1582 666334
Ireland 00800 8272 9444
europe@nordsonefd.com

Nordson India Private Limited
+91 80 4021 3600
or Mobile: +91 98450 48481
india@nordsonefd.com

China: +86 (21) 3866 9006
china@nordsonefd.com

Singapore: +65 6796 9522
sin-mal@nordsonefd.com

The Wave Design is a trademark of Nordson Corporation.
©2012 Nordson Corporation
7026625-2K V-Parts 450XT-MAN-INS- v100512