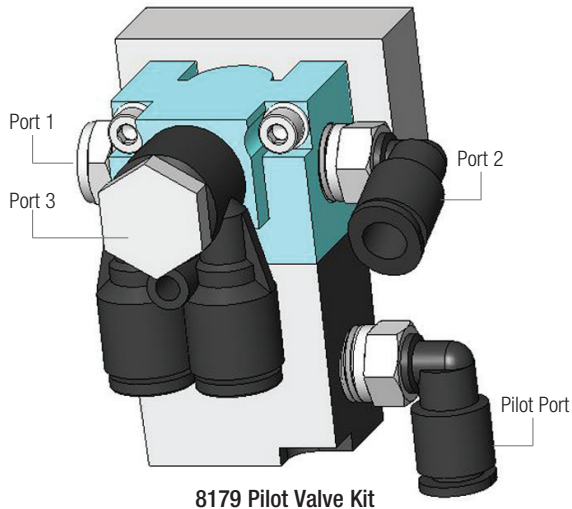


Instructions for Installing the 8179 Pilot Valve Kit into the MicroCoat® MC800



Preliminary Steps

1. Turn off all supply air to the MC800 and disconnect external tubing.
2. Remove the MC800 from its mounting and remove the sheet metal cover.
3. Remove the mounting screws for the Humphrey pilot valve and disconnect all tubing at the fittings attached to the MC800 chassis and regulators. Discard the Humphrey pilot valve and the original tubing.

Note: in Figures 1 and 2, all other tubing connections have been omitted for clarity.

Figure 1

1. Orient the 8179 pilot valve as shown.
2. Connect the shorter tube from the Y-fitting ① on the pilot valve (Port 3) to the fitting attached to the output of the Tank Air Pressure Regulator ② inside the MC800. Shorten the tube as necessary.
3. Connect the longer tube from the Y-fitting ① (Port 3) to the Tank Air Outlet fitting ③ on the MC800 chassis. Shorten the tube as necessary.

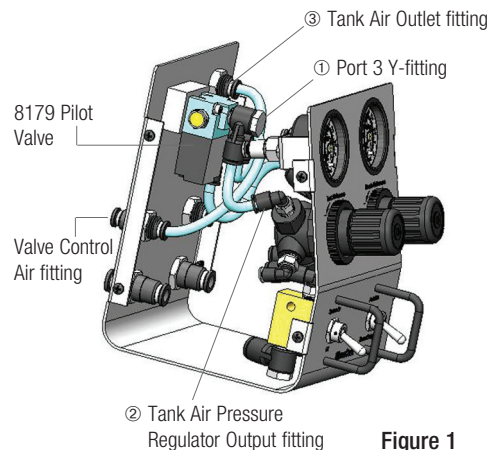


Figure 1

Figure 2

4. Connect the tube from the fitting attached to Port 2 ④ to the Valve Control Air fitting ⑤ on the MC800 chassis. The existing tube length is adequate.
5. Connect the tube attached to the Pilot Input fitting ⑥ to the Y-fitting mounted on the Nozzle Air Pressure Regulator ⑦ as shown. Shorten the tube as necessary.
6. Attach the 8179 pilot valve assembly to the MC800 chassis ⑧ with the M5-0.8 x 10 mm screws supplied.
7. Reattach the MC800 cover, remount the unit and reattach the external tubing.

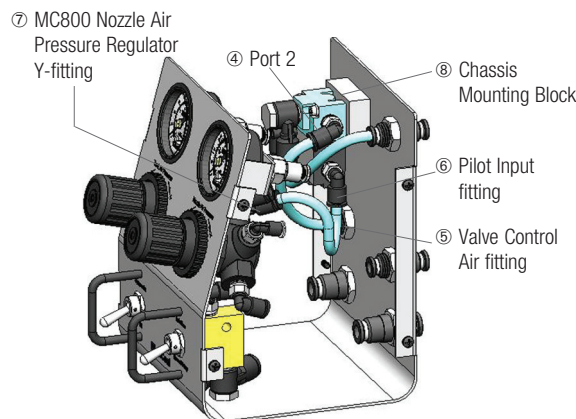


Figure 2



For Nordson EFD sales and service in over 40 countries, contact Nordson EFD or go to www.nordsonefd.com.

Global
East Providence, RI USA
800-556-3484; +1-401-431-7000
info@nordsonefd.com

Europe
Dunstable, Bedfordshire, UK
0800 585733; +44 (0) 1582 666334
europe@nordsonefd.com

Asia
China: +86 (21) 3866 9006; china@nordsonefd.com
India: +91 80 4021 3600; india@nordsonefd.com
Japan: +81 03 5762 2760; japan@nordsonefd.com
Korea: +82-31-736-8321; korea@nordsonefd.com
SEAsia: +65 6796 9522; sin-mal@nordsonefd.com