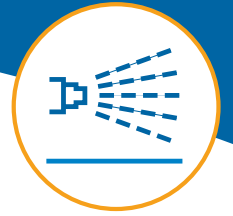


# High-Pressure Fluid Filters



**Fast acting, high-speed valves with carbide ball and seat for positive shut-off and long life in abrasive coating applications.**

## Features and Benefits

- **Dual filter design** – facilitates cleaning of one side of the filter without interrupting operation, reducing downtime.
- **Reinforced screens** – ensure longer life and extend time between cleanings. Optional screens are available for changing application requirements.
- **Stainless steel construction** – compatibility with all coating materials assured.
- **Drain valves** – reduce routine maintenance time.
- **Dual inlet ports** – give flexibility for connection to the coating material supply.
- **Housing mounts to underside of filter base** – reduces spillage during maintenance.



Single fluid filters are offered with two drain options: plug drain (left) or standard ball valve (right).

Nordson high-pressure fluid filters are designed for use in paint spray and other fluid delivery applications to prevent nozzle clogging. Nordson filters are available in both single and dual versions, all of stainless steel construction, to meet specific customer requirements.

All Nordson high-pressure fluid filters use reinforced screens to ensure longer service life and extend operating times between cleanings. Nordson fluid filters are shipped with .006" reinforced screens. A wide range of optional screens are available to accommodate changing production situations.

Nordson dual fluid filters permit cleaning of one side of the filter while the other side remains operational. This allows for uninterrupted operation during routine maintenance. Dual filters are offered with either check valves or 3-way ball valves.

Nordson fluid filter bases feature two inlet and one outlet port, all 3/8" NPT. The extra inlet port provides flexibility in making the connection to the coating material supply. The housings in all Nordson fluid filters attach to the bottom of the filter base, minimizing coating material spillage during routine maintenance.

All Nordson-high pressure fluid filters feature drains to ensure fast and easy cleaning. Two drain options are offered for the single filters: the standard ball valve, or the lower cost plug drain. Dual filters are equipped with ball valves for drainage.



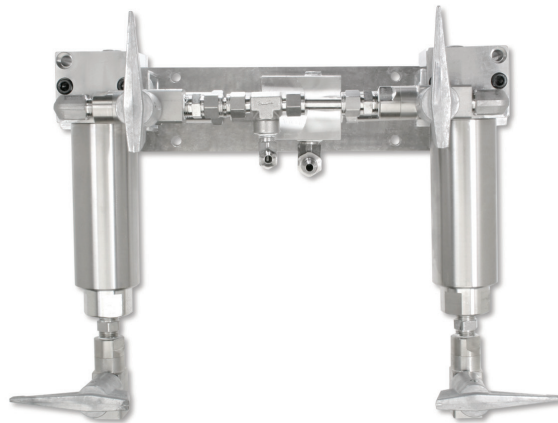
# High-Pressure Fluid Filters

## Specifications

	Single with Plug Drain	Single with Ball Valve	Single with Check Valve	Dual with 3-Way Valve
<b>Operating Pressure (maximum)</b>	3000 PSI (207 bar)	3000 PSI (207 bar)	3000 PSI (207 bar)	3000 PSI (207 bar)
<b>Overall Height</b>	10.6 in (269.2 mm)	13.2 in (335.3 mm)	14.0 in (355.6 mm)	16.7 in (424.2 mm)
<b>Base Width</b>	2.5 in (63.5 mm)	2.5 in (63.5 mm)	3 in (76.2 mm)	4 in (101.6 mm)
<b>Base Length</b>	2.5 in (63.5 mm)	2.5 in (63.5 mm)	14.5 in (368.3 mm)	7 in (177.8 mm)
<b>Input/Output Fittings</b>	½ - 20 JIC	½ - 20 JIC	½ - 20 JIC	½ - 20 JIC
<b>Reinforced Screen Mesh Sizes</b>	.002 - .030 in	.002 - .030 in	.002 - .030 in	.002 - .030 in



Dual fluid filter with 3-way ball valves



Dual fluid filter with check valves

© 2018 Nordson Corporation | All Rights Reserved | LQL-18-0740 | Revised 5/18

## Why choose Nordson

In highly competitive manufacturing markets, productivity is vital and performance is essential. That's why we apply both to everything we do, whether it's our products, expertise or outstanding customer service. We'll always be there to help maintain the new standards you've set, with expert service and support delivered through our teams working across the globe.

This unique Nordson approach helps you reach new levels of production, while working more accurately, efficiently and competitively than ever. Precisely why manufacturers who demand quality, can rely on Nordson.

## Nordson Industrial Coating Systems

100 Nordson Drive  
Amherst, OH, 44001  
USA

**Phone:** +1.440.985.4000  
**www.nordson.com/ics**



/Nordson\_Coating



/NordsonICS



/company/nordson-industrial-coating-systems

Find your local Nordson office:

**www.nordson.com/icslocations**

*Performance by design*

