

BKG[®] HyFlex[™] 6/3-Way Valves

Function

Depending on the position of the valve position, the melt flow can be re-directed to the appropriate position

Processes

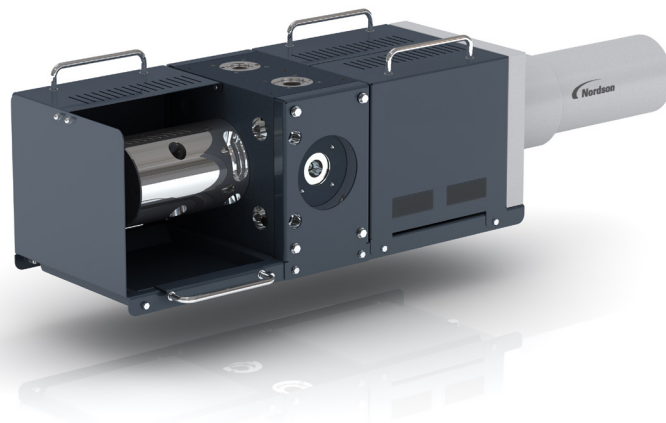
Melt processes with several inlets and outlets

Features

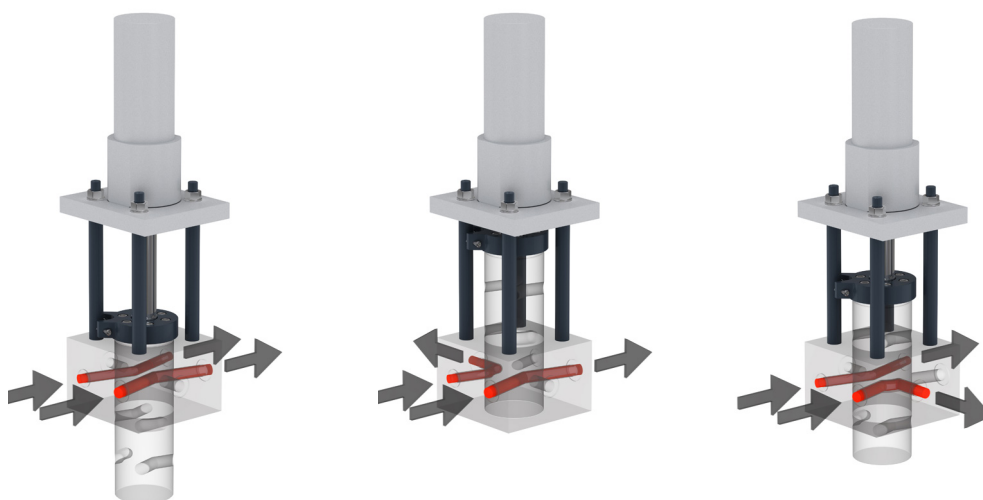
- Optimized flow channels utilizing rheological data
- Wear-free metallic sealing system - no additional seal requ
- Easily integrated into the line controls
- Highly customized solutions available
- Proven piston type design

Benefits

Switch between different end applications without modifying the existing line layout



Functional principal



Possible diverter positions

Nordson PPS GmbH
Coermühle 1
48157 Münster / Germany
+49.251.21405.0 **Phone**

USA
+1.828.326.9888 **Phone**

China
+86.21.57850918 **Phone**

www.nordsonpolymerprocessing.com | info@nordsonpolymerprocessing.com
© 2016 Nordson PPS GmbH
Printed in USA
8/2016

