

087 No-Drip Series

One-Component Fluid Control Valves



Single Ball and Seat, Air Actuated Material Valve

Valve Data

Dry Weight	10.3 lbs. (4.67 kg)
Maximum Inlet Fluid Pressure	5,000 PSI (345 bar)
Minimum Inlet Air Pressure	60 PSI (4.2 bar)
Operation	Double Air Operated; air to open, air to close
Material Delivery	Pressure Tank, Pressure Pump
Viscosity Range	Liquid to Paste



Application Solutions

- Aircraft and Aerospace
- Electronics and Electrical
- Appliance
- Filters
- Battery
- Lighting and LED
- Construction
- Solar and Wind Power

Benefits

- **Longer Lifespan**
 - Wear-resistant seals and hardened components
 - Unrestricted internal design allows for the free flow of high viscosity materials
 - Divorced design separates fluid components from air components
- **Quality Dispensing**
 - No-Drip feature creates immediate material shut off
- **Exact Consistency**
 - Short stroke length produces immediate on/off control of materials being dispensed

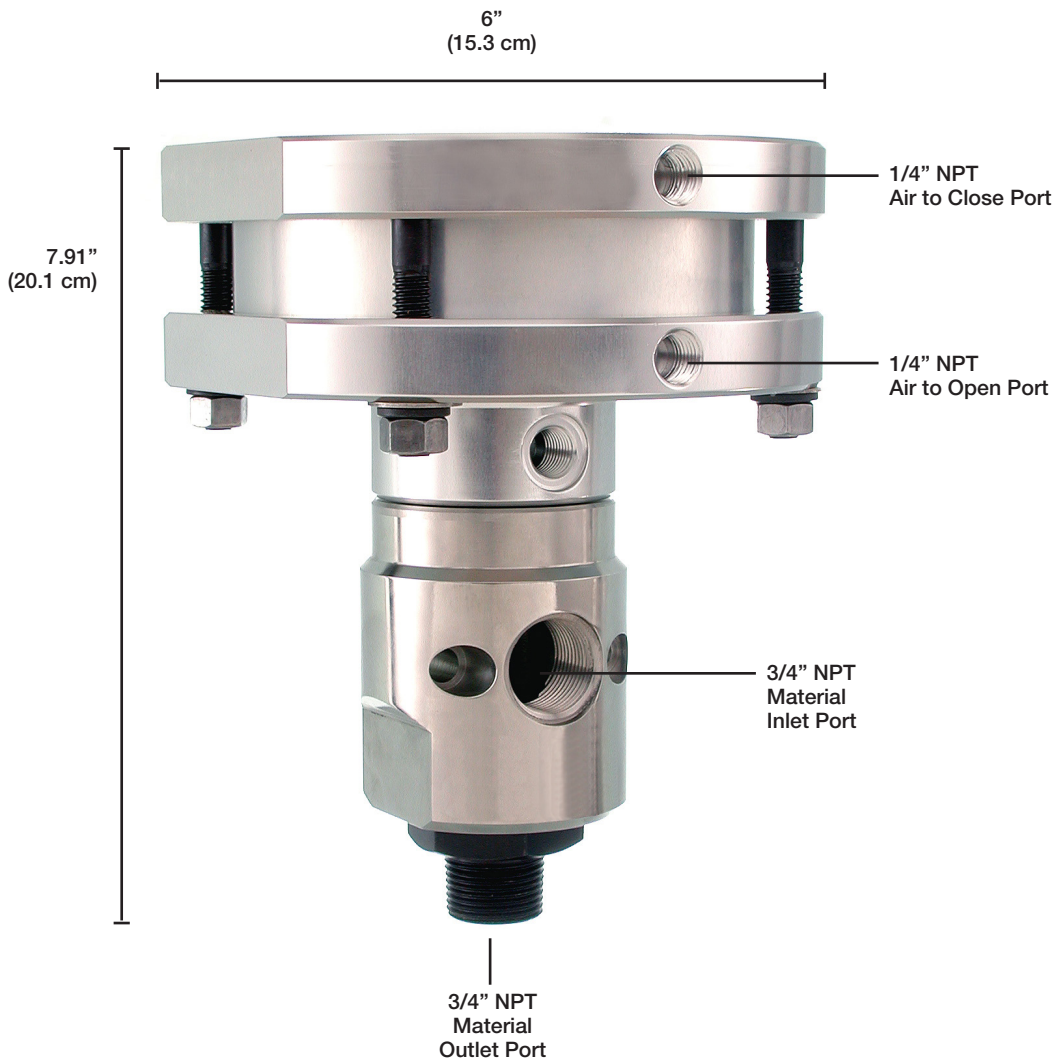
Features

- Standard stainless steel material inlet port
- High pressure capability
- Hardened and ground ball and seat
- Multiple seal configurations are available

Frequently Used Models**

7425186	Standard stainless steel
---------	--------------------------

*Consult your Nordson representative with application specifics for accurate valve capabilities.
 **Many additional models and options are available.



For more information, speak with your Nordson representative or contact your Nordson regional office.

United States

Plymouth, Michigan
 +1.734.459.8600 **Phone**
 +1.734.459.8686 **Fax**

Web:
 www.sealantequipment.com
Email:
 sales@sealantequipment.com

Canada

Markham, Ontario
 +1.905.475.6730 **Phone**
 +1.905.475.8821 **Fax**
Web: www.nordson.ca

Europe

Erkrath, Germany
 +49.211.9205.0 **Phone**
 +49.211.254658 **Fax**
E-mail: info@de.nordson.com

Mexico

Edo. de Mexico, Mexico
 +52.55.5301.1032 **Phone**
 +52.55.5300.3004 **Fax**
E-mail: ventas@nordson.com.mx

Brasil

Sao Paulo, Brasil
 +55.11.4195.2004 **Phone**
 +55.11.4195.6698 **Fax**
E-mail: admfin@nordson.com.br

China

Shanghai, China
 +86.21.3866.9166 **Phone**
 +86.21.3866.9199 **Fax**
E-mail: shanghai@nordson.com

Japan

Tokyo, Japan
 +81.3.5762.2700 **Phone**
 +81.3.5762.2701 **Fax**
Web: www.nordson.co.jp
E-mail: fin@nordson.com

India

Bangalore, India
 +91.80.4021.3600 **Phone**
 +91.80.4021.3601 **Fax**
E-mail: nordsonindia@nordson.com

Korea

Gyeonggi-do, Korea
 +82.31.736.8321 **Phone**
 +82.31.736.8322 **Fax**
E-mail: steve.shin@nordson.com

© 2016 Nordson Corporation
 All Rights Reserved

NSL-16-6011
 Revised 12/16

