

High Volume, Tip-Seal® Dispense Valve Assembly



- ▶ Designed for use with high viscosity, one component adhesives or sealant
- ▶ High volume robotic applications
- ▶ Zero-Cavity - Shut off - seal at the tip
- ▶ Integrated nozzle and shut off
- ▶ Double air operated
- ▶ Ready fixture, includes mounting flats and set screw
- ▶ Orifices: 0.189”
0.250”
- ▶ Stainless steel hardened nozzle seat
- ▶ Carbide ball tipped needle

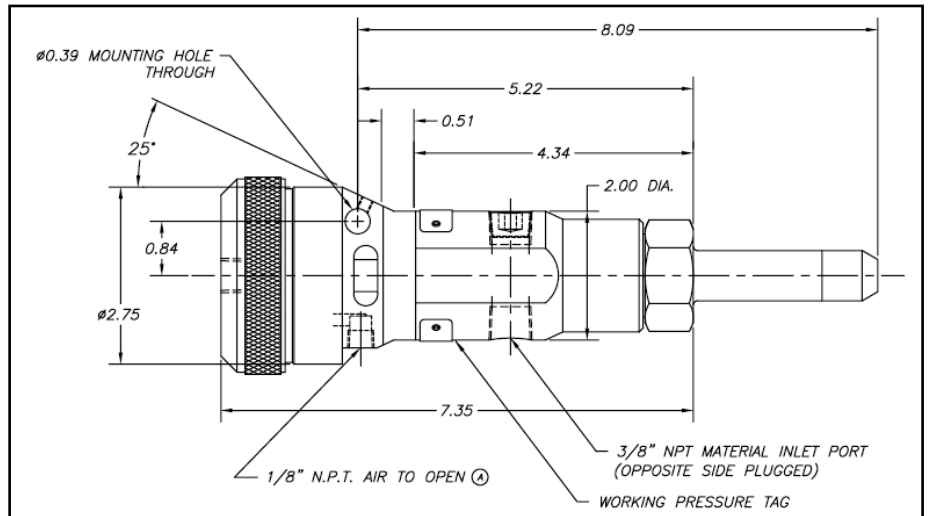
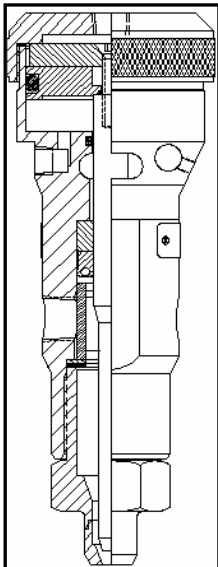


2600-001 Series Tip-Seal Dispense Valve Assembly



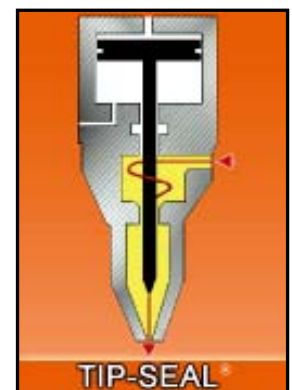
Specifications

Air to open:	1/8" N.P.T.F.
Air to close:	1/4" N.P.T.F.
Weight:	3.6 lbs.(dry)
Inlet:	(2) 3/8" ports (one plugged)
Max.working pressure:	4,000 P.S.I.; 276 bar
Min. air pressure:	60 P.S.I.; 4.0 bar
Power factor:	16:1
Required:	4 way valve
Service kit:	2150-312 Series (soft goods) 2150-397 Series (inc. needle)



2600-001-000-AA Dimensions

2200-1043-001-AA
w/ 0.25 orifice outlet



Available Models

2600-001-001-AA	w/ added slots for mounting
2600-001-003-AA	-000 w/ 440 C Hardened Needle & carbide tip
2600-001-004-AA	-001 w/ 440 C Hardened Needle & carbide tip
2200-1043-001-AA	0.250" orifice

Form 2600-001-0603 Copyright 2006



Manufacturers of Precision Dispense Systems & Valves

45677 Helm Street • P.O. Box 701460
Plymouth, MI 48170 • USA

Phone: (734) 459-8600

Fax: (734) 459-8686

Web: www.sealantequipment.com/valves

Email: valves@sealantequipment.com