

No-Drip® Air Operated Fluid Dispense Valve



2100-108-000-DP No-Drip
Dispense Valve

- ▶ Automatic Fluid On/Off Valve For Controlled Fluid Dispensing
- ▶ No-Drip Shut-off Action Eliminates The Dripping Of Low Viscosity Or Filled Materials
- ▶ Immediate Start Or Stop Of Material Flow
- ▶ Double Air Operated - Air To Open, Air To Close
- ▶ Readily Fixtured Or Mounted For Automated Applications
- ▶ Adjustable Teflon Packings
- ▶ Carbon Steel Wetted Components (SST Available)
- ▶ Ideal For Use With Plastisol, Silicones, Greases
- ▶ 1/4" NPT (F) Material Inlet & Outlet Ports

The **2100-108** is a reliable air operated **No-Drip®** valve for dispensing low viscosity (pourable) single component adhesives, sealants, and lubricants, or reactive resins that can be solvent flushed. The valve's unique **No-Drip** action insures a quick, positive stop of material flow when the valve is closed.

The divorced design, air to open/air to close valve features Teflon packings, carbide hardened ball and seat, and 1/4" NPT (F) inlet and outlet.

The outlet accepts many 1/4" N.P.T.M. nozzles.

The valve includes a 25/64" diameter hole for mounting. A fixture rod may be secured in position using the set screw that intersects the drill thru hole.

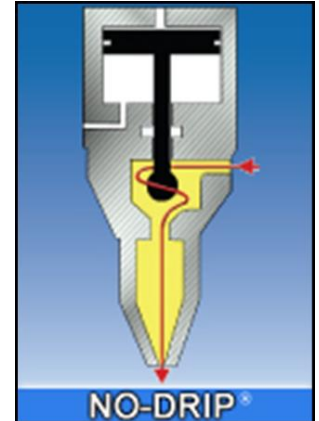
The amount of material dispensed is determined by the valve open time, fluid supply pressure, nozzle orifice size and material viscosity.

2100-108 No-Drip® Dispense Valve



Specifications:

Weight:	1.46 Pounds; 23 Ounces
Length:	5.19" (Without Nozzle)
Diameter:	2.20"
Max. Inlet Pressure:	3,500 P.S.I.
Material Inlet:	¼" N.P.T.F.
Material Outlet:	¼" N.P.T.F.
Air Ports:	(2) 1/8" N.P.T.F. (Air To Open/Close)
Air Pressure Required:	60 Psi (4.0 Bar) Minimum Spring Shut-off Assist (If Air Pressure Is Lost, Valve Will Close)
Drill Thru:	0.39"
Mounting Hole:	#10-24 w/ Locking Set Screw
Packings:	Flat Teflon™ Packings
Service Kit:	2150-392-000
Construction:	Carbon Steel Fluid Body Aluminum And Steel Air Section



**2100-108-003-DP SST
No-Drip Dispense Valve**

Typical Compatible Materials:

- One Part Epoxies
- One Part Silicones
- One Part Urethanes
- PVC Plastisol
- Oils And Lubricants
- Greases
- Rubber Based Mastics
- Polyols And Resins
- Catalysts And Hardeners

Available Models:

2100-108-000-DP	Standard 2100-108 valve with Teflon packings
2100-108-001-DP	2100-108 w/ 12mm tap for proximity sensor in air cylinder
2100-108-003-DP	2100-108 valve with stainless steel wetted components
2100-480	2100-108 valve with flow adjustment on cap
2100-899	2100-108 w/ 1226-704 heat block

Form 2100-108 Series Ver A



Manufacturers of Precision Dispense Systems & Valves

45677 Helm Street • P.O. Box 701460
Plymouth, MI 48170 • USA
Phone: (734) 459-8600
Fax: (734) 459-8686
Web: www.dispensevalves.com
Email: valves@sealantequipment.com